



5 GALLON STAINLESS STEEL PRESSURE TANK W/ AIR AGITATOR

PRODUCT INFORMATION



**51-853 SINGLE REGULATED
51-854 DOUBLE REGULATED**

GENERAL INFORMATION

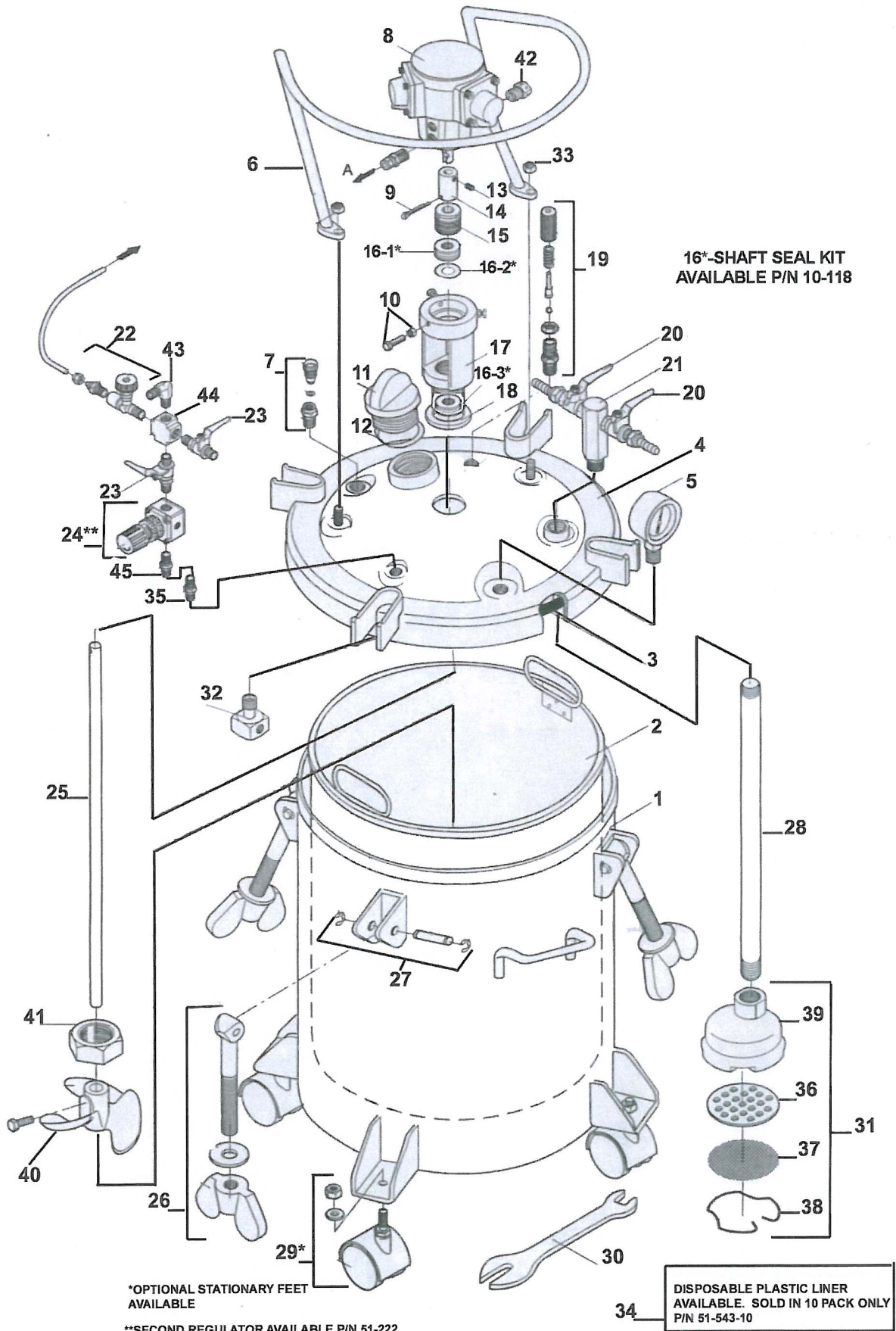
This pressure tank is equipped with either single or double air pressure regulation, material outlet shutoff valves for 2 guns, pressure safety relief valve, pressure release valve, a stainless steel inner liner, an air powered agitator, and four caster wheels.

CAUTION!

1. Maximum tank working pressure is 80 psi. The safety relief valve is designed to protect the tank against excessive pressures. DO NOT attempt to make any adjustments to this valve. If this valve begins to vent air pressure, reduce the setting on the inlet regulator.
2. DO NOT alter the tank in any way by welding, drilling or machining as this may weaken the structure of the tank.
3. To prevent hazardous static electric sparks from occurring, always ground the pressure tank by connecting a 12 ga. wire to the tank and to a known earth ground.
4. Be sure tank pressure is completely relieved before attempting to remove the tank cover or material fill cap. Shut off the main air supply to the tank and vent the pressure using the tank vent valve located on the tank cover.

****NOTE** - Oilless Motor Used on CAT agitated tanks - DO NOT OIL TANK MOTORS**

ITEM NO.	PART NUMBER	DESCRIPTION
1	51-526SS	TANK SHELL
2	51-527	NOT USED
3	51-520	GASKET
4	51-528SS	TANK LID ASSEMBLY
5	52-58	PRESSURE GAGE
6	51-535SS	GUARD
7	51-234SS	TANK VENT VALVE
8	51-240SS	AIR MOTOR
9	51-266	ROLL PIN
10	51-264	SCREW & NUT 1/4-20 x 1" lg
11	51-524	NOT USED
12	51-522	SEAL RING
13	51-262	SET SCREW 1/4-20 x 1/4 lg
14	51-242SS	COUPLING
15	51-243	GUIDE
16	10-118	SHAFT SEAL ASSEMBLY
17	51-241SS	AIR MOTOR BASE
18	51-245	SEAL RING
19	51-229SS	SAFETY RELIEF VALVE ASSEMBLY
20	52-151SS	MATERIAL OUTLET VALVE
21	51-530SS	MATERIAL OUTLET MANIFOLD
22	51-247	SPEED CONTROL VALVE FOR AGITATOR
23	52-150	AIR SHUT OFF VALVES
24	51-222	AIR REGULATOR (OPTIONAL SECOND REGULATOR, P/N 51-222)
25	51-544SS	AGITATOR SHAFT
26	51-236	EYE BOLT ASSEMBLY
27	51-233	PIN ASSEMBLY
28	51-523SS	FLUID PICK-UP TUBE
29	51-224	CASTER
30	51-225	WRENCH
31	51-532	INLET STRAINER ASSEMBLY
32	51-237	AIR FLOW DIFFUSER
33	98-0115	NUT 3/8-16
34	51-543-10	DISPOSABLE PLASTIC LINER (10 PACK)
35	52-1	NOT USED
36	51-549	INLET SCREEN BACKUP PLATE
37	51-542	INLET SCREEN
38	51-519	INLET SCREEN RETAINING CLIP
39	51-548	INLET STRAINER BODY
40	51-246	PROPELLER w/ BOLT
41	51-259	RETAINING NUT
42	51-271	MUFFLER
43	51-268	90 DEGREE ELBOW
44	51-267	FOUR-WAY UNION
45	53-562	1/4 x 1/4 NIPPLE FITTING



****NOTE** - Oilless Motor Used on CAT agitated tanks - DO NOT OIL TANK MOTORS**

PRESSURE TANKS AVAILABLE FROM C.A.Technologies



**2.5 GALLON PRESSURE TANK TEFLON COATED
51-201 SINGLE REGULATED
51-202 DOUBLE REGULATED**



**2.5 GALLON PRESSURE WITH AIR POWERED AGITATION
51-203 SINGLE REGULATED
51-204 DOUBLE REGULATED**



**5 GALLON TANK
WITH NO AGITATION
51-507 SINGLE REGULATED
51-508 DOUBLE REGULATED**



**5 GALLON TANK
WITH MANUAL AGITATION
51-501 SINGLE REGULATED
51-502 DOUBLE REGULATED**



**5 GALLON TANK
WITH AIR POWERED AGITATION
51-503 SINGLE REGULATED
51-504 DOUBLE REGULATED**



**10 GALLON TANK
WITH NO AGITATION
51-551 SINGLE REGULATED
51-552 DOUBLE REGULATED**



**10 GALLON TANK
WITH MANUAL AGITATION
51-557 SINGLE REGULATED
51-558 DOUBLE REGULATED**



**10 GALLON TANK
WITH AIR POWERED AGITATION
51-553 SINGLE REGULATED
51-554 DOUBLE REGULATED**